



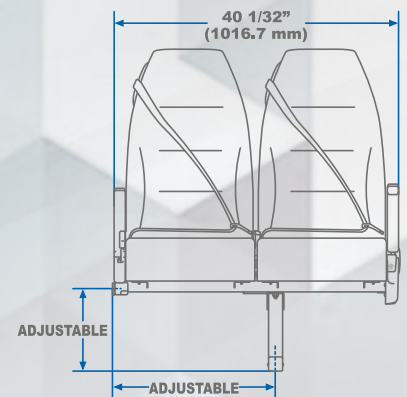
SIGMA

SIGMA



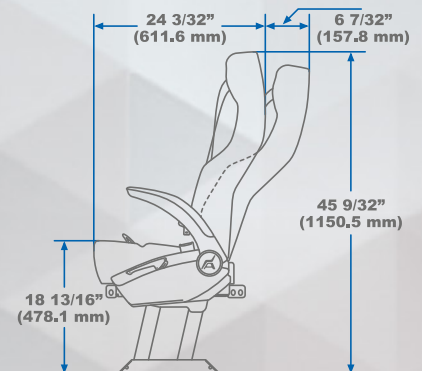
Features:

- SIGMA seat model provides extra legroom with a thinner seat-back design, while maintaining the ergonomic support for greater comfortability.
- High-back seat which optimizes head support while providing greater visibility between seats which makes the SIGMA an excellent option for both, the private and public transportation sectors.
- As a high-back seat design, the SIGMA model incorporates an internal three-point seat belt system that adjusts automatically to adults and children with a height of at least 49" (smaller children require a booster seat for proper seating).
- Amaya-Astron Seating recommends the use of "Piping" with the upholstery emphasizing the profile of the SIGMA seat design.
- A "5-Year Warranty" on the mechanical seat recline mechanism.
- Cushions and backrests made from fire retardant and high resilient polyurethane foam for enhanced safety and durability.



Options:

- ADA compliant.
- Fold up center armrest.
- Automatic retractable footrest.
- Rubber or rigid cup holder.
- Mesh magazine pocket.
- Snack or airline style table.
- Self positioning reclining mechanism.
- Grab-handle.
- 110 V / USB outlets.



AMAYA – ASTRON SEATING MEXICO

Pirules 16E, Complejo Industrial Cuamatla
Cuautitlan Izcalli, Estado de Mexico, 54730

☎ + 52 (55) 5881 2007

SALES REPRESENTATIVES FOR THE U.S. AND CANADA

George Farrell

☎ (864) 895 4127 ✉ gfarr007@aol.com

Bob Greene

☎ (402) 639 4454 ✉ bgreene45@cox.net

Jeff Goldwasser

☎ (551) 482 1608 ✉ interiors@jeffgoldwasser.com



www.amaya-astron.com.mx